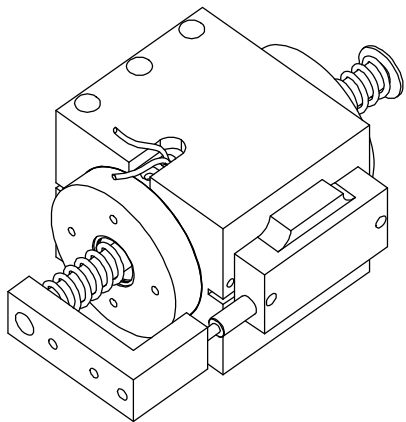
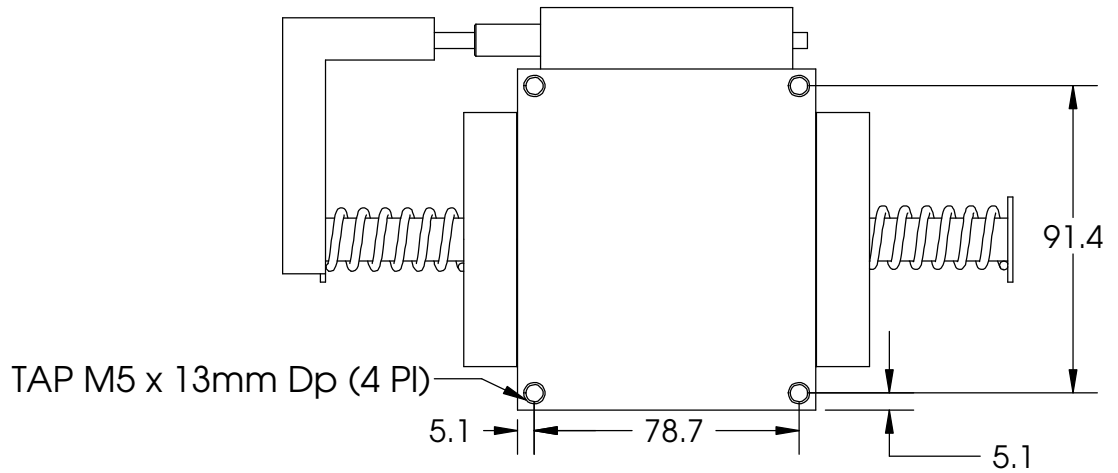
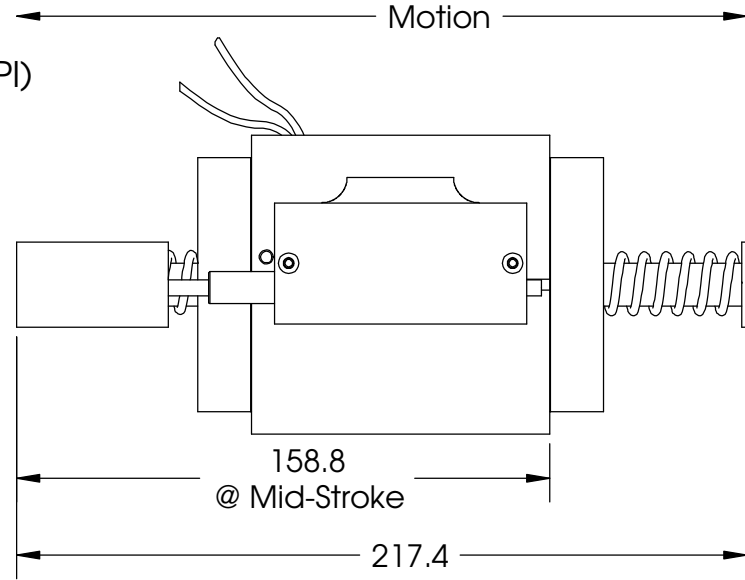
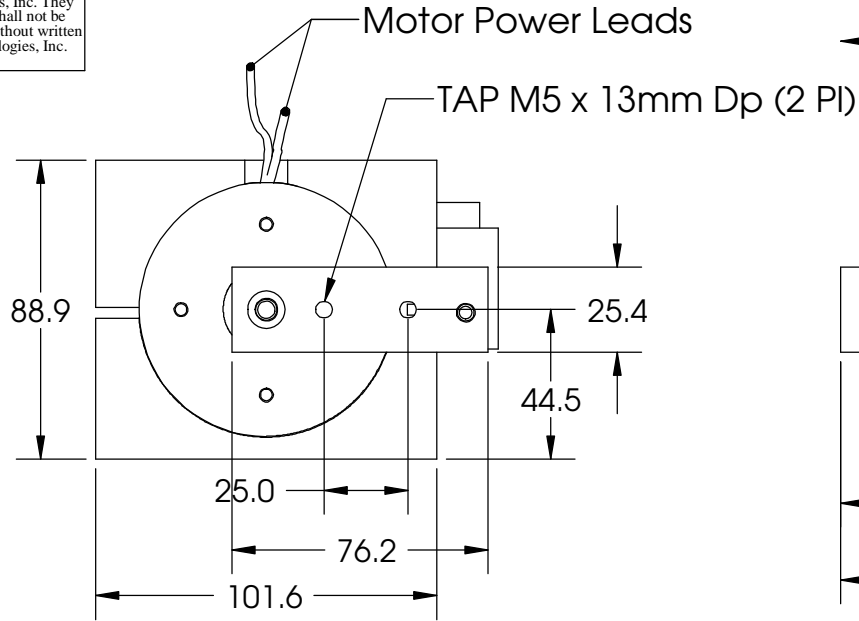


These drawings and specifications are the property of H2W Technologies, Inc. They are issued in confidence and shall not be reproduced, copied, or used without written permission from H2W Technologies, Inc. (www.h2wtech.com)



**H2W Technologies, Inc.**

26470 Ruether Ave #102 Santa Clarita, CA 91350 USA  
 Tel: (661) 251-2081 Fax: (661) 251-2067  
 www.h2wtech.com

UNLESS SPECIFIED OTHERWISE:  
 All dimensions are in inches  
 Standard Tolerances are as follows:  
 .XXX ±.005 ANGLES ±1°  
 .XX ±.010 FILLETS .010  
 X ±.020 CORNERS .010  
 Remove All Burrs and Sharp Edges

MATERIAL			
FINISH			
DRAWN	DATE	APPROVED	DATE
OOG	2-24-12	MPW	2-24-12

TITLE		
Voice Coil Positioning Stage Model #VMS05-180-LB-12-LS		
DWG#	REV	SHEET
31-0308	---	1 of 2

<b>MOVING COIL NON-COMM ACTUATOR SPECIFICATIONS</b>		
Motor P/N	NCM05-28-180-2LB	
Stroke	0.50"	12.7 mm
Encoder Resolution	12 micron	
Bearing Type	Linear Bushing	
Moving Mass	1.74 lbs	787 grams
Total Mass	7.56 lbs	3417 grams
Resistance @ 20C	10.2 ohms	
Inductance @ 20C	5.1 mH	
Electrical Time Constant	0.50 msec	
Motor Constant	2.71 LBS/SQRT(Watt)	12.1 N/SQRT(Watt)
Force Constant	8.7 LBS/Amp	38.6 N/Amp
Back EMF	1.0 V/ips	38.6 V/m/sec
Continuous Force	18 LBS	80 N
Max Power @ 100% Duty	44 Watts	
Peak Force	54 LBS	240 N
Max Power @ 10% Duty	397 Watts	

TITLE		
<b>Voice Coil Positioning Stage Model #VMS05-180-LB-01-LS</b>		
DWG #	<b>31-0308</b>	REV --- SHEET 2 of 2